

# *Amahi*

UKULELES

**DIY UKE  
ASSEMBLY INSTRUCTIONS**

## MATERIALS NEEDED



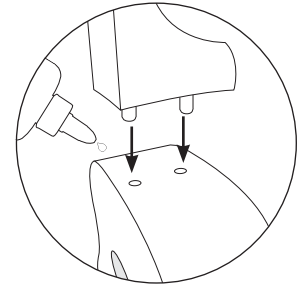
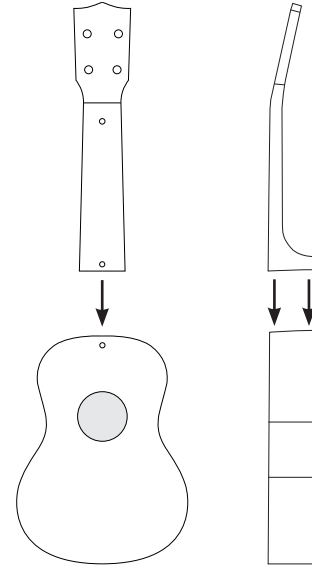
\*Wood Glue

We recommend that you design and paint your ukulele body before assembly using the provided acrylic paints.

For additional information and tips on how to assemble your DIY Ukulele, visit our website.

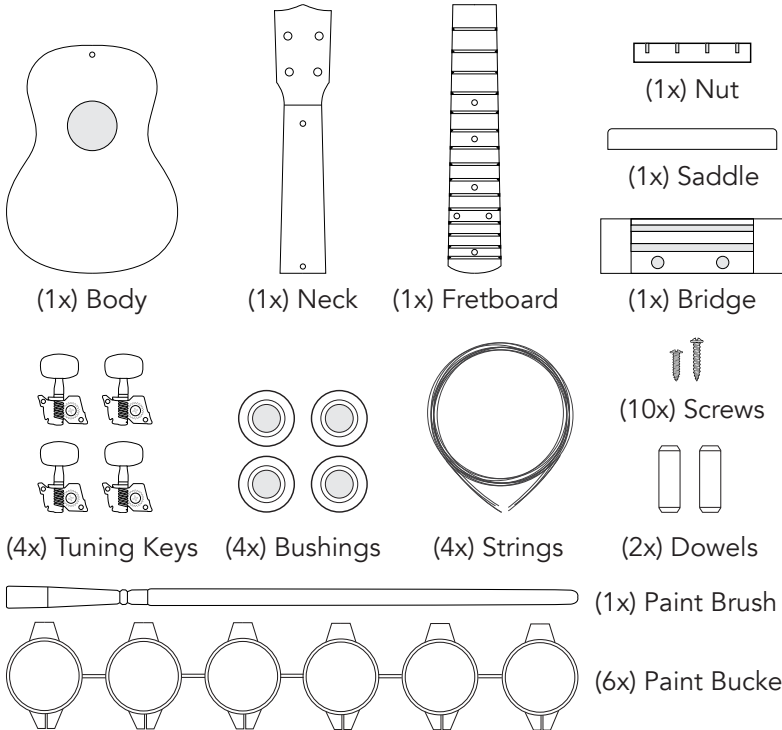
Enjoy!

1



Insert (2x) dowels into the bottom of the ukulele neck. Using wood glue, attach the neck to the top of ukulele body and let dry for 10-15 minutes.

## MATERIALS INCLUDED



(1x) Body

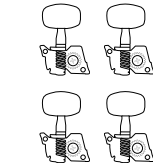
(1x) Neck

(1x) Fretboard

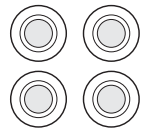
(1x) Nut

(1x) Saddle

(1x) Bridge



(4x) Tuning Keys



(4x) Bushings



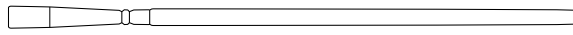
(4x) Strings



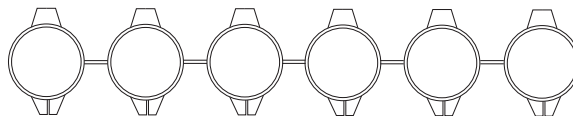
(10x) Screws



(2x) Dowels

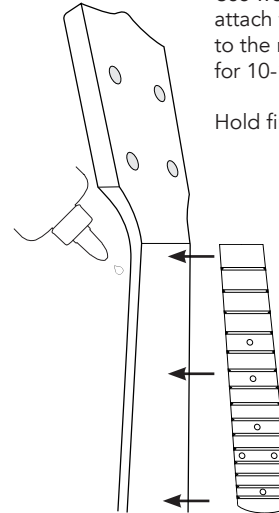


(1x) Paint Brush



(6x) Paint Buckets

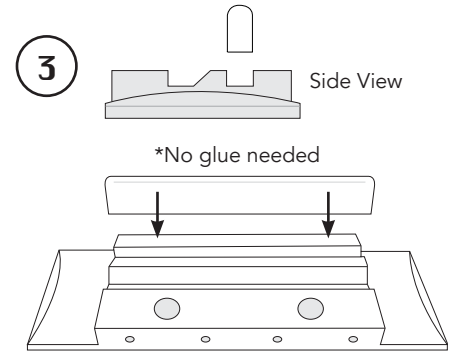
2



Use wood glue to attach the fretboard to the neck and let dry for 10-15 minutes.

Hold firmly.

3



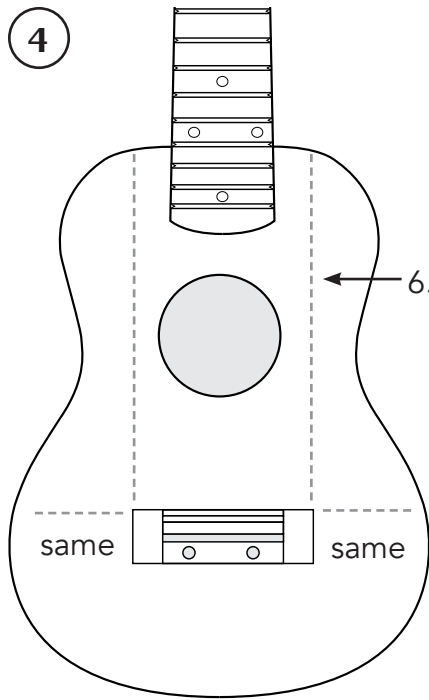
Side View

\*No glue needed

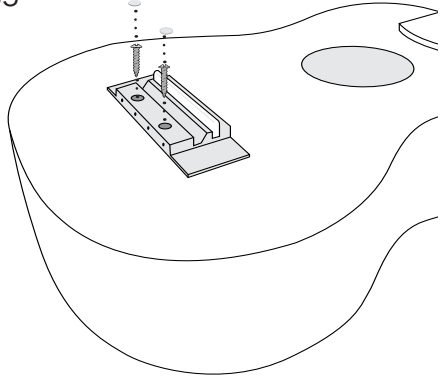
(1x) Nut

With the fretboard attached, place and glue (1x) nut with the rounded edge facing towards the headstock.

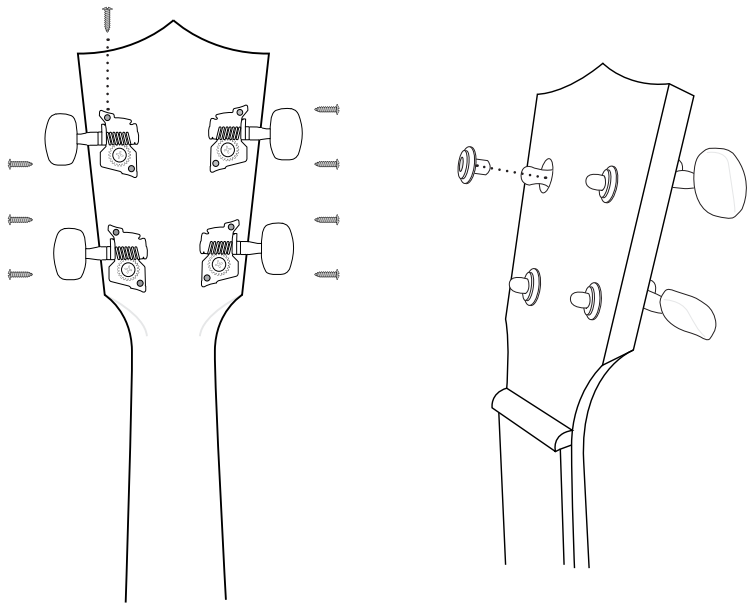
4



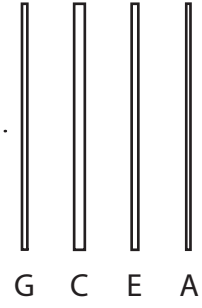
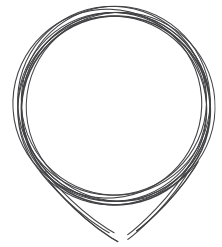
Attach the bridge to the body using (2x) screws. The distance measured between the bridge and the top of the body is 6.83". Keep the bridge centered on the body.



5



6



Each string has a different thickness with C being the thickest and A being the finest. Identify each one before stringing your ukulele.

After your ukulele is strung, use the tuning keys and turn them counter-clockwise to raise the pitch. When stringing your ukulele, give yourself some slack to allow the strings to wind around the post a couple times and avoid snapping!

